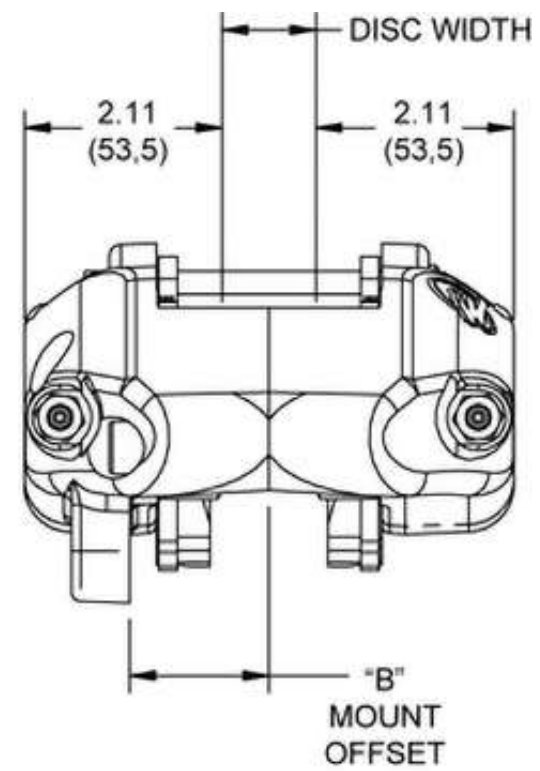


TOP OF FRICTION MATERIAL AND DISC O.D. TO BE FLUSH



DIMENSION "D1" = (DISC DIAMETER/2) - 2.41 (61,3)
 INLET FITTING: 1/8-27 NPT

DISC WIDTH	"B" MOUNT OFFSET	DISC DIAMETER	"A" BOLT CIRCLE RADIUS	"E" OUTSIDE RADIUS
1.00 (25,4)	1.48 (37,6)	11.75 (298,5)	4.92 (125,1)	7.19 (182,6)
		12.19 (309,6)	5.08 (129,1)	7.37 (187,3)
		12.90 (327,7)	5.35 (135,8)	7.68 (195,0)
		13.06 (331,7)	5.41 (137,3)	7.74 (196,7)